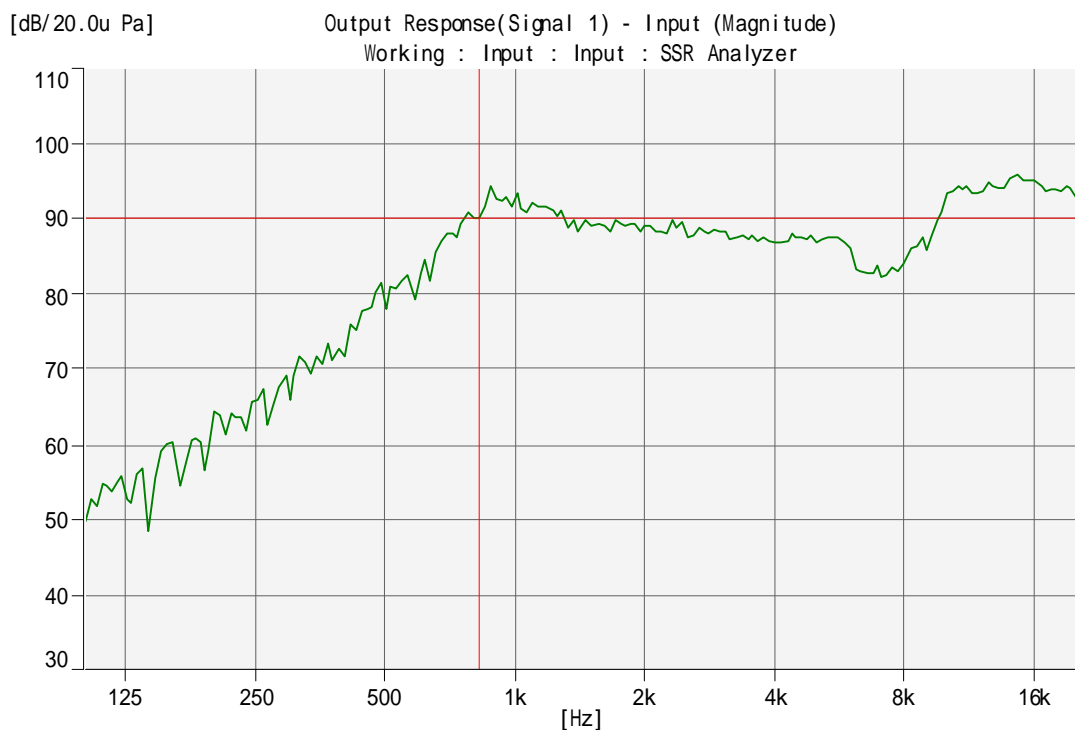
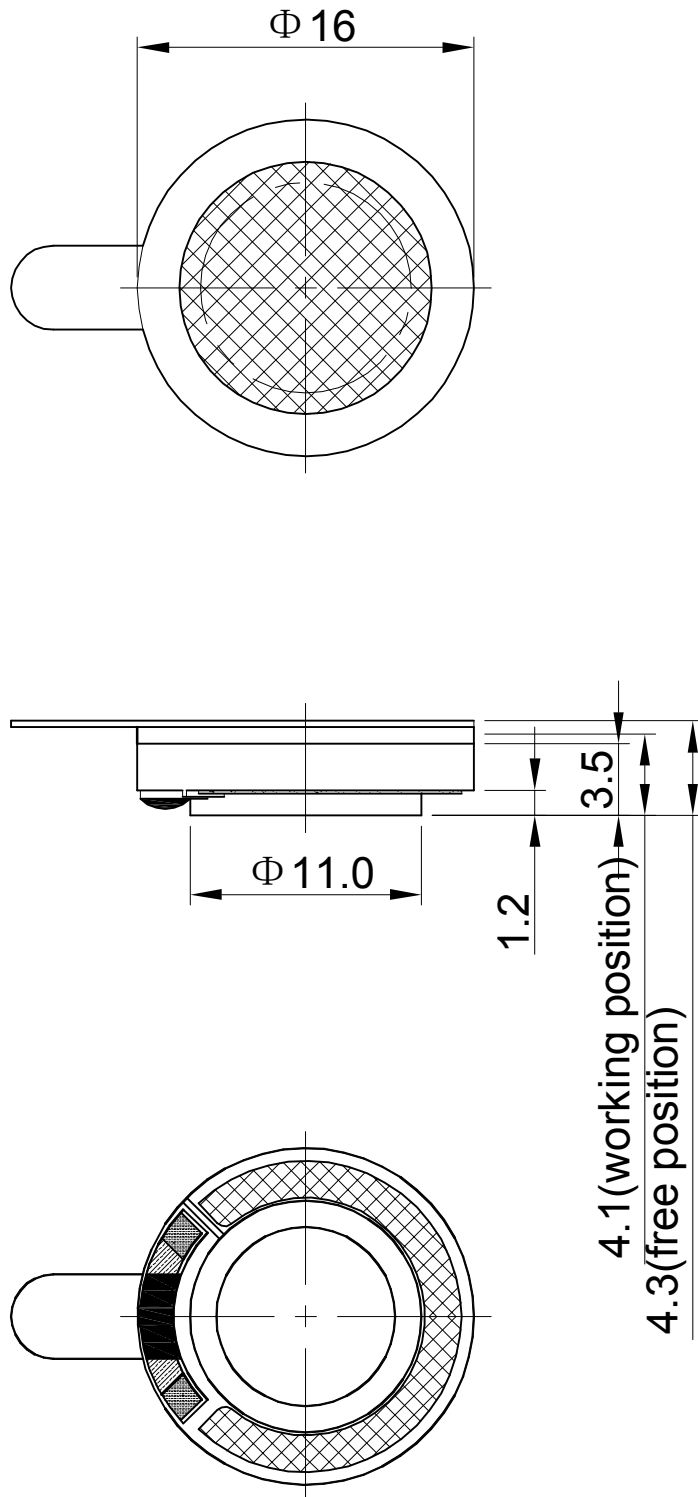


Speaker Specification

Customer's Model No.		Customer	
Keпо Model No.	KP1634SP3-4729	Size	Ø16 No. KFC4729
No.	Item	Specification	Test Condition
1	Impedance	$8\Omega \pm 15\%$	at 1Vrms,1.5kHz
2	Resonant Fr. (f_0)	900Hz \pm 20%	
3	Frequency Range	F0-20.0KHz	
4	Rated Power	0.5W	
5	Max Power	0.8W	
6	S.P.L.	90 \pm 3dB	0.1W/0.1M at average 0.8,1.0,1.2,1.5kHz
7	Distortion	<10% Max.	at 2kHz/2Vrms
8	Sweep Test	must be normal	at sine wave 2.0V
9	Load Test	after test meet item 8	rated noise power, 24 Hrs.
10	Heat Test	after test meet item 8	70 \pm 2 $^{\circ}$ C 5Hrs.
11	Cold Test	after test meet item 8	-20 \pm 2 $^{\circ}$ C 5Hrs.
12	Humidity Test	after test meet item 8	40 \pm 2 $^{\circ}$ C,90/95%R.H. 5Hrs.
13	Weight		
14	Polarity Test	When supplied plus D.C. voltage to (+) terminal, the cone must move to forward.	
15	Note		



Dimensions:



FIRST ANGLE PROJECTION

UNIT : mm
Tolerance : ± 0.2